

FISBA Beam Twister™ (FBT) precision beam symmetrization



FISBA offers pre-assembled Twister Array and FAC products, as well as the manufacturing of Twister Array components for your own assembly process.

Technical Data

- Pitch distances: 400 μm and 500 μm
- Wavelength: 790 – 990 nm (customer-specific wavelength available on request)
- Lengths for standard bars: 7 mm and 12 mm

Your Benefits

- Customer defined integration levels
- Customer specific precision micro assembling
- Fast adaptation to customized wavelengths

FISBA Capabilities

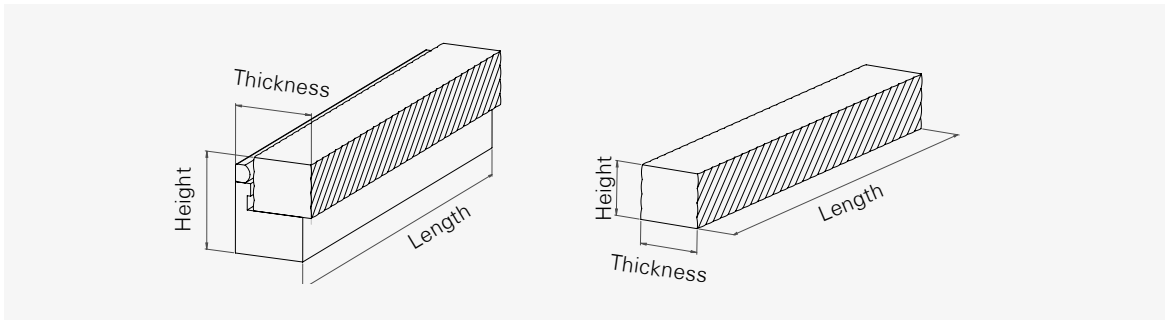
- Pre-assembled Twister Array and FAC products
- Manufacturing of Twister Array components for your own assembly process
- Improved coupling efficiency via a high refractive index

Industries & Applications

- Diode Laser Integration

Technical Specifications

FISBA Beam Twister™ (FBT)



| Parameters | Pitch μm | Emitter width μm | Emitter # – | Back focal length BFL μm | Numerical aperture – | Residual divergence @ 85 % power enclosure mrad | Height x Thickness x Length mm |
|------------|--|------------------------|-------------------|--------------------------------|----------------------------|--|---|
| FBT 400 | 400 | ≤ 200 | ≤ 25 | 70 | FA: 0.6 SA: 0.06 | ≤ 10 (FA) | 2.75 x 2.26 x 12 |
| FBT 500 | 500 | ≤ 150 | ≤ 19 | 70 | FA: 0.7 SA: 0.1 | ≤ 8 (FA) | 2.75 x 2.26 x 12 |
| All FBT | Transmission (%): ≥ 97, Standard Coating AR 790 – 990 nm | | | | | | |

Customized designs available upon request