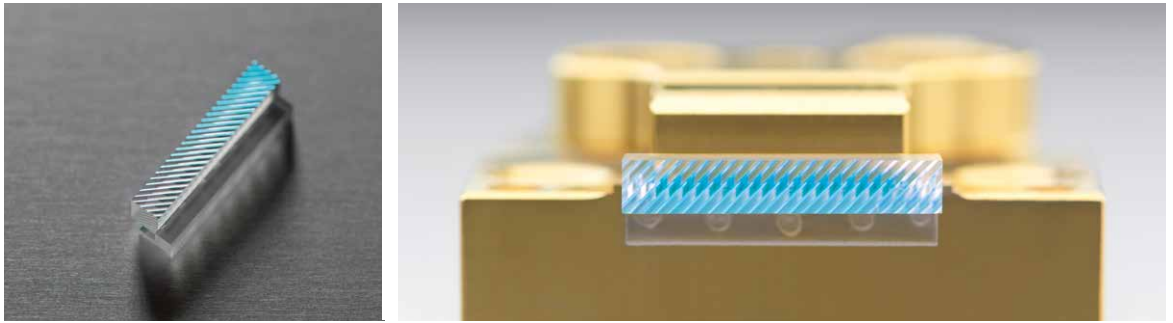


FISBA Beam Twister™ (FBT) precision beam symmetrization



FISBA offers pre-assembled Twister Array and FAC products, as well as the manufacturing of Twister Array components for your own assembly process.

Technical Data

- Pitch distances: 400 μm and 500 μm
- Wavelength: 790 – 990 nm (customer-specific wavelength available on request)
- Lengths for standard bars: 7 mm and 12 mm

Your Benefits

- Customer defined integration levels
- Customer specific precision micro assembling
- Fast adaptation to customized wavelengths

FISBA Capabilities

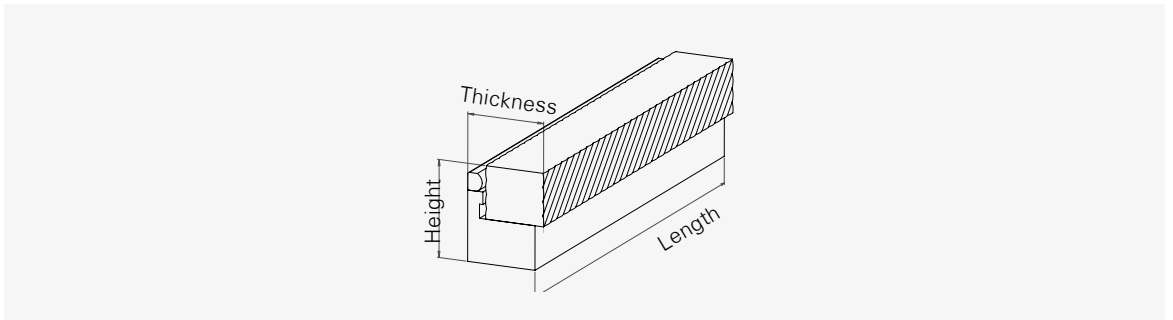
- Pre-assembled Twister Array and FAC products
- Manufacturing of Twister Array components for your own assembly process
- Improved coupling efficiency via a high refractive index

Industries & Applications

- Diode Laser Integration

Technical Specifications

FISBA Beam Twister™ (FBT)



Parameters	Pitch μm	Emitter width μm	Emitter # –	Back focal length BFL μm	Numerical aperture –	Residual divergence @ 85 % power enclosure mrad	Height x Thickness x Length mm
FBT 400	400	≤ 200	≤ 25	70	FA: 0.6 SA: 0.06	≤ 10 (FA)	2.75 x 2.26 x 12
FBT 500	500	≤ 150	≤ 19	70	FA: 0.7 SA: 0.1	≤ 8 (FA)	2.75 x 2.26 x 12
All FBT	Transmission (%): ≥ 97, Standard Coating AR 790 – 990 nm						

Customized designs available upon request